

Table Blast Cleaning Equipment



DISA

GOFF

Abrasive Blast Equipment



The DISA Goff 36TB features a low profile table design and 1000 lb. load capacity.



DISA Goff Table Blast

DISA Goff's Table Blast models are the ideal choice for blast cleaning: automotive parts and engine components, petroleum valves and compressors, castings, fabrications and weldments and numerous other items that are not suitable for tumbling due to size and shape. Parts to be cleaned are rotated on the table exposing the parts or castings to the abrasive blast. Table diameters range from 36" to 96" with workload capacities of 300 to 8,000 lbs. All tables are covered with abrasive resistant liners for superior wear. DISA Goff Table Blast machines are offered in various configurations with blast wheels mounted on the side, hip, and top of the machine. Some models offer oscillating blast wheels to allow more thorough blast pattern coverage.

Available in single table, single and double-door swing, satellite multi-table and plain table models. DISA Goff's Table Blast machine offers the user unparalleled performance and versatility in blast cleaning.

DISA

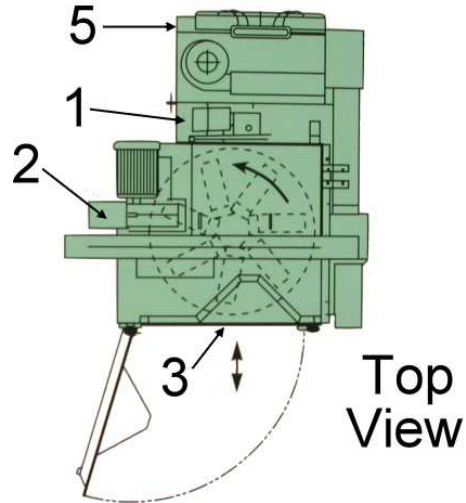
The 5000 lb. capacity 60TB has a swing door for access, and includes two oscillating blast wheels.



BUILT TOUGH...AND EFFECTIVE

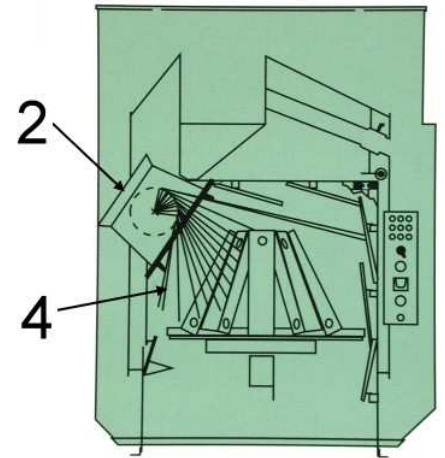
DISA Goff has concentrated on building reliable blast equipment that provides solutions to customer needs.

- **Cabinet Construction** Compact and sturdy with large doors for easy accessibility with no pit required.
- **Work Table** Constructed of wear resistant steel plate with heavy duty support to withstand years of service.
- **Table Drive** Exterior mounted electric motor and gear reducer.

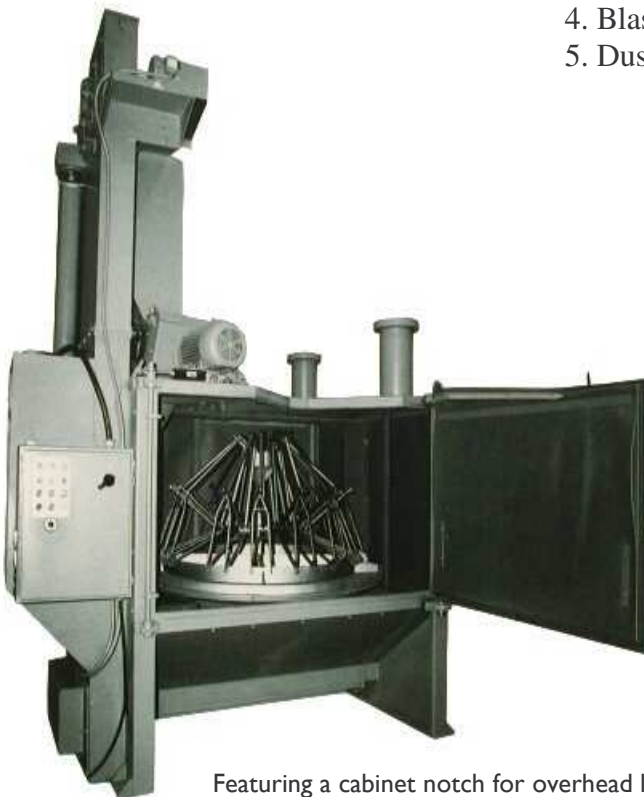


Top View
Front Elevation

1. Table Drive
2. Blast Wheel
3. Front Opening access
4. Blast Area Pattern
5. Dust Collector*



***NOTE: All models do not have mounted dust collector.**



Featuring a cabinet notch for overhead loading, the DISA Goff 72'' S Table Blast machine handles load capacities up to 6,000 lbs.

DISA

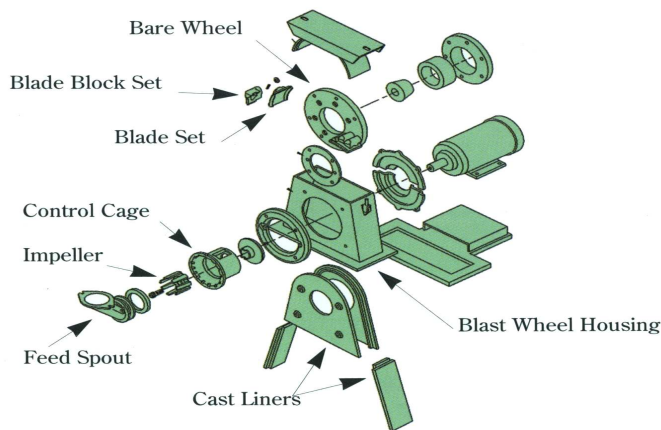


DISA Goff's 36'' Power Table Blast features an integrated dust collector and an oscillating blast wheel.

Efficiency and Precision: DISA Goff Blast Wheels

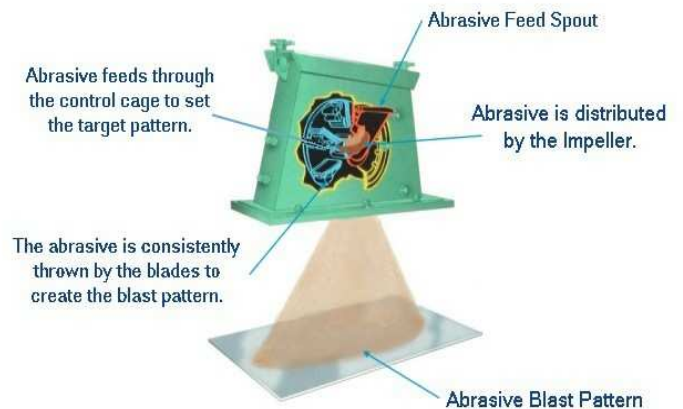
The Blast Wheel assembly is the heart of every DISA Goff machine. Each DISA Goff blast wheel is equipped with premium cast blades. During the blast operation a measured flow of abrasive flows continuously through the feed spout into the impeller, which is rotating in synchronization with the blast wheel. The abrasive accelerates within the impeller and is smoothly inserted onto the individual blades through a slot in the control cage. The positioning of the slot, which is adjusted by rotating the control cage, determines the direction of the blast stream and allows the "hot spot" to be easily set. An ammeter measures the actual flow of abrasive.

The DISA Goff Difference



- **Direct Drive Blast Wheels** Assures maximum energy is optimally used at all times.
- **Curved Blades** Curved in the direction of the rotation to provide high velocity and even distribution and better blast pattern control.
- **Unique Snap-Lock Blade Design** Enables quick and easy removal and replacement of worn blades.
- **Blade Sets** Weighed prior to leaving the factory to improve the balance and life expectancy of the wheel assembly.
- **Fully Lined Wheel Housing** With interlocking, cast wear-resistant liners, the interior of the blast wheel housing is protected.
- **Adjustable Abrasive Valve** Allows precise control of abrasive flow.

Abrasive Blast Wheel

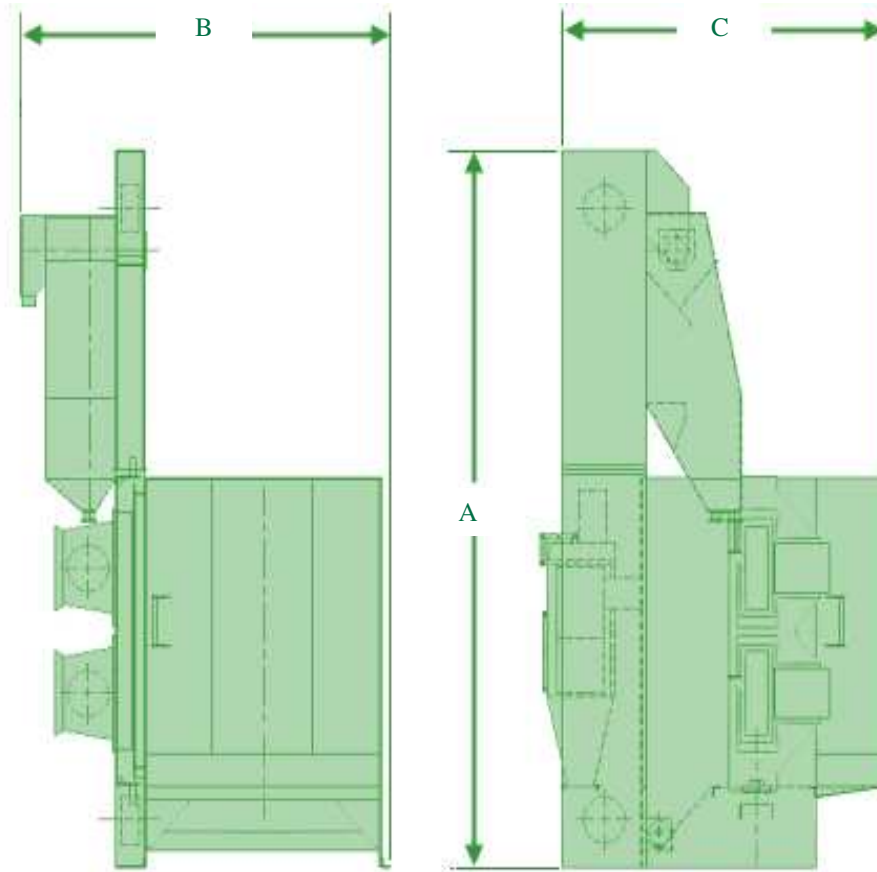


The adjustable control cage assures accurate blast pattern control.



Unique Snap-Lock Blade system allows easy and quick blade change.

Technical Data



DISA Goff Table Blast Models

Model	36" PTB	36" TB	48" TB	60" TB	72" S TB	72" D TB	72" SW TB	84" D TB	96" S TB
Number of Blast Wheels	1	1	1*	2	1*	1*	2	2	2
Power Per Blast Wheel (HP)	3 HP	7 1/2 HP	15 HP	10 HP	20 HP	20 HP	20 HP	25 HP	25 HP
Abrasive Initial Filling (lbs.)	275 lbs.	300 lbs.	400 lbs.	1000 lbs.	3000 lbs.	3000 lbs.	3000 lbs.	4000 lbs.	5000 lbs.
Workload Capacity (lbs.)	300 lbs.	1000 lbs.	5000 lbs.	5000 lbs.	6000 lbs.	6500 lbs.	8000 lbs.	6000 lbs.	6000 lbs.
Workload Dimensions (dia. x height)	36"x 29"	36"x22"	48"x 19" - 36"	60"x 52"	72"x 43"	72"x 43"	72" x 52"	8/4" x 52"	96" x 54"
Required Ventilation (CFM)	500	800	800	1300	2000	2600	2600		
Total HP Without Dust Collector	4 HP	8-3/4 HP	16-1/2 HP	16-1/2 HP	22-1/3 HP	22-1/2 HP	45-1/2 HP	73 HP	97 HP
Total Amps @ 460 Volts	6.2	12.5	22.5	22.5	29.5	29.5	58.5	102	123
Dimensions									
Height (A)	7'8"	9'3"	10'5"	14'1"	14'1"	14'3"	15'9"	20'3"	15'4"
Width (B)	7'1"	5'3"	7'4"	8'6"	11'6"	18'10"	16'0"	20'0"	12'6"
Depth (C)	5'1"	4'10"	7'4"	8'6"	8'0"	7'9"	16'0"	8'6"	9'8"
Total Machine Weight (lbs.)	2800 lbs.	2200 lbs.	5100 lbs.	8600 lbs.	7500 lbs.	8000 lbs.	17,000 lbs.	15,000 lbs.	17,000 lbs

*Optional number of blast wheels

Specifications subject to change without notice.





DISA Group

Founded in 1900, DISA is the world's leading supplier of foundry equipment, metal surface finishing systems, and air pollution control solutions. DISA is constantly setting new standards in the industry through an outstanding commitment to research and development.

With 2,500 employees, DISA is represented worldwide with production facilities and sales and service offices in three continents, and an extensive agent network.



A.P Moller - Maersk Group

DISA is part of the worldwide A.P. Moller - Maersk Group which has offices in 325 cities in more than 100 different countries, and employs some 50,000 people.

The business interests of the A.P. Moller - Maersk Group include oil and gas exploration and production, shipbuilding, aviation, industrial engineering and IT Services.

For illustrative purposes the DISA equipment may be shown without any warning labels and with some of the protective guards removed. The warning labels and guards must always be in place when the equipment is in use.

The technical data are not binding. They are not warranted characteristics and are subject to change. Please consult Conditions of Supply stipulated in the relevant quotations.

DISA Goff, Inc.
One Pleasant Grove Road
PO Box 1607
Seminole, Oklahoma 74818-1607
USA

Tel 405-382-6900
Tel 800-654-4633
Fax 405-382-7013
disagoff@disagoff.com
www.disagoff.com

DISA

www.disagroup.com

GOFF